



FCM Rail Ltd.

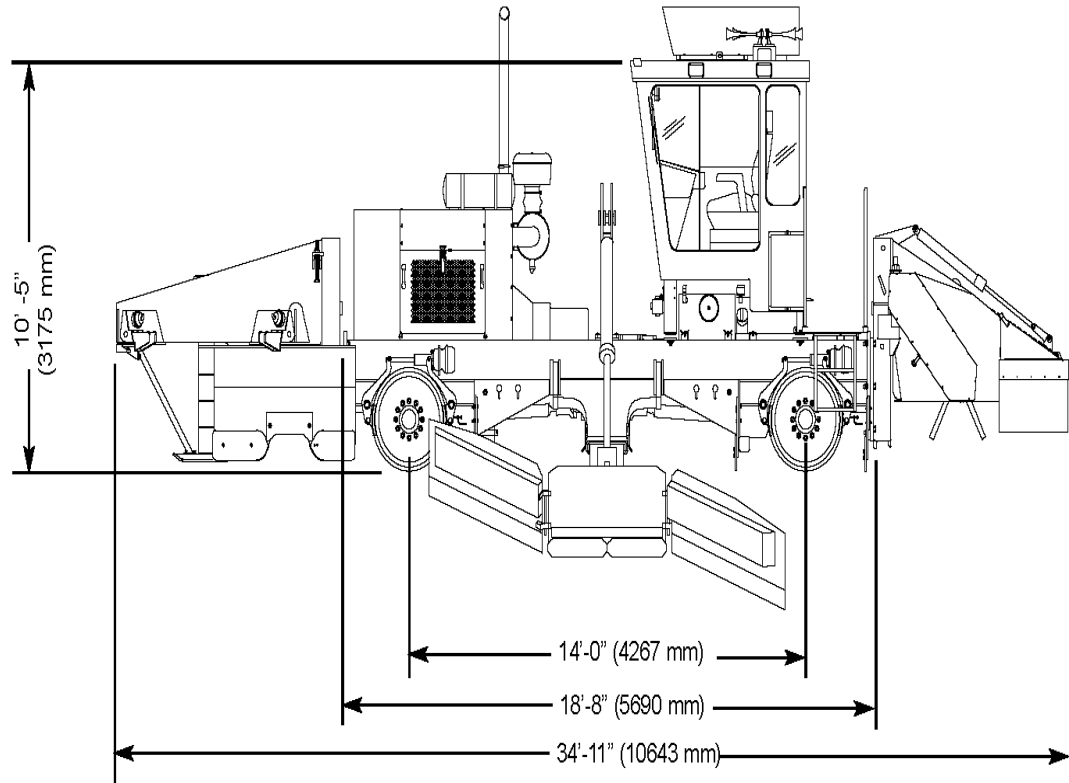
15173 North Road
Fenton, MI 48430
810-714-4626
Fax 810-714-4680

Manufacturer	Model	Asset ID
Kershaw	46-2 Ballast Regulator	556

Serial #	46-473-01
Year	2001
Engine	Caterpillar C7 225 hp @ 2200 rpm

Model 46-2 Ballast Regulator





Description: Kershaw 46-2 Ballast Regulator has a one pass transfer plow, 36" (914 mm) wide reversible wings, and a broom attachment making it a powerful versatile machine for ballast shaping, shoulder profiling, and a variety of other track maintenance operations.

Frame: Welded construction using tubular steel and structural steel cross members.

Weight: 39,000 lbs. (17690 kg)

Engine: Caterpillar C7, 225 hp @ 2200 rpm.

Propel System: Hydrostatic drive, variable displacement pump, fixed displacement motor standard with four speed manual-shift transmission. Optional variable displacement pump and variable displacement motor with "shift on the go" transmission. Travel speed 30 mph (48 km/h). Optional 50 mph (80 km/h).

Transmission and Axles: Propel motor powers a four speed transmission or optional two-speed "shift on the go" transmission. Dual propeller shafts, two (2) spring-mounted industrial type axles equipped with no spin differential. Gear ratio is 4.63:1 standard with a optional 6.14:1. Single control handle controls speed and direction in each gear range.

Wheels and Brakes: 24" (610 mm) cast steel wheels bolted to each axle, clasp brakes (two shoes per wheel). Service brakes; air applied/spring released. Parking brakes; spring applied/air released.

Electrical System: 24 volt dc negative ground, 95 amp alternator, two 205 amp/hour batteries, color coded and numbered wiring.

Air System: Air compressor, engine oil lubricated, cam shaft driven, water-cooled, 13.2 cfm free air volume @ 1250 rpm. System pressure is 100-120 psi, 613 in.³ (9.8 liters) air tank. Service brakes are controlled by a pressure reducing valve and the parking brakes by a manually-operated dump valve. System is also equipped with a dual tone air horn, safety relief valve.

Hydraulic System: Engine-powered dual pump drive with clutch drives hydrostatic propel pump and triple pump for controls and broom. Control circuit includes pressure beyond manual valves, electrically actuated control valves and remote-mounted oil cooler. 100 mesh suction screens and 10 micron return filters. Electric emergency pump to operate selected circuits.

Cab: Fully enclosed, insulated, safety glass, dome light, front windshield wiper and pivoting seat. Cab access from either side of machine. Two-operator cab is available with two seats and split controls.

Capacities: Fuel: 122.5 gal (464 liters), hydraulic: 98 gal (371 liters), engine crankcase: 7.4 gal (28 liters), cooling system: 11 gal (41.6 liters), pump drive: 4 1/2 qt (4.2 liters), transmission: 2 qt (1.9 liters),

Optional Equipment: Scarifier teeth in wings, articulating wing templates, 2-speed "shift on the go" transmission, two-operator cab, climatized cab, v-type snow plow, snow wings, combination broom/snow switch cleaner, side set-off wheels, reversible broom, 4-season plow, dust collection system. Other options available on request.